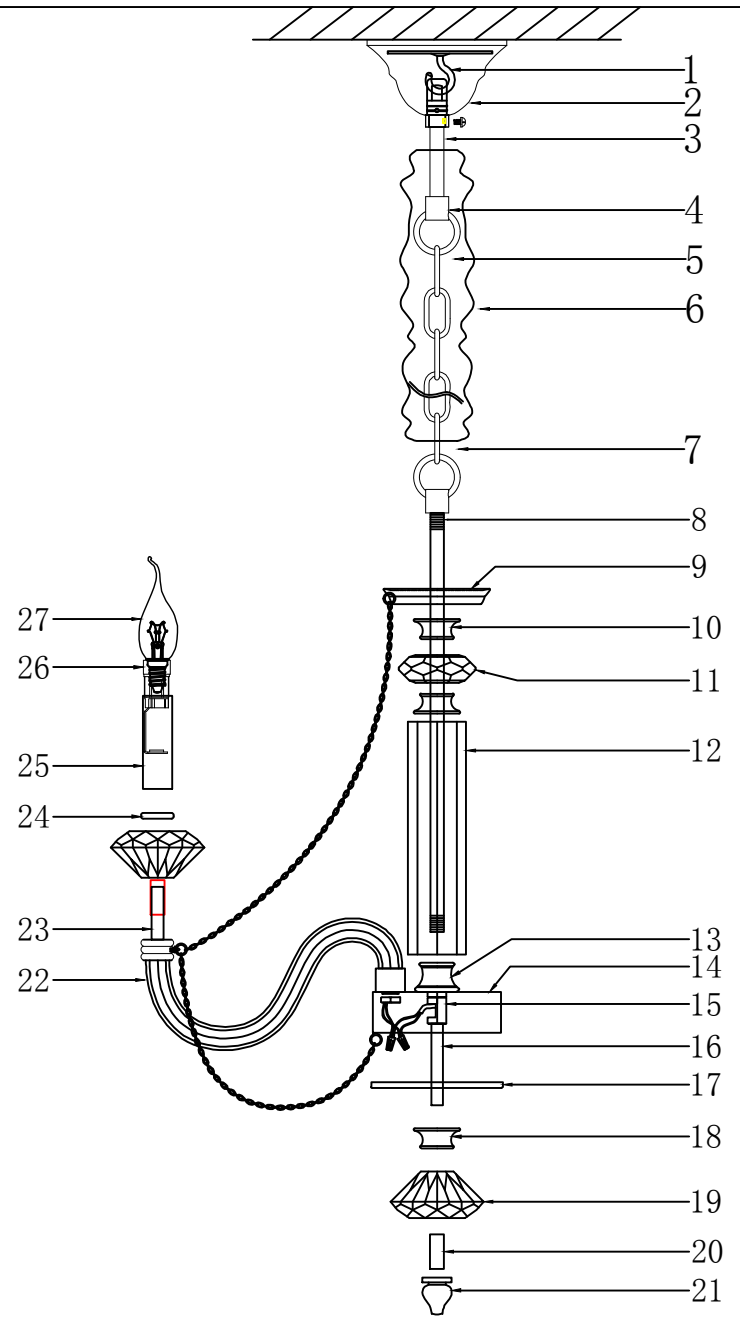
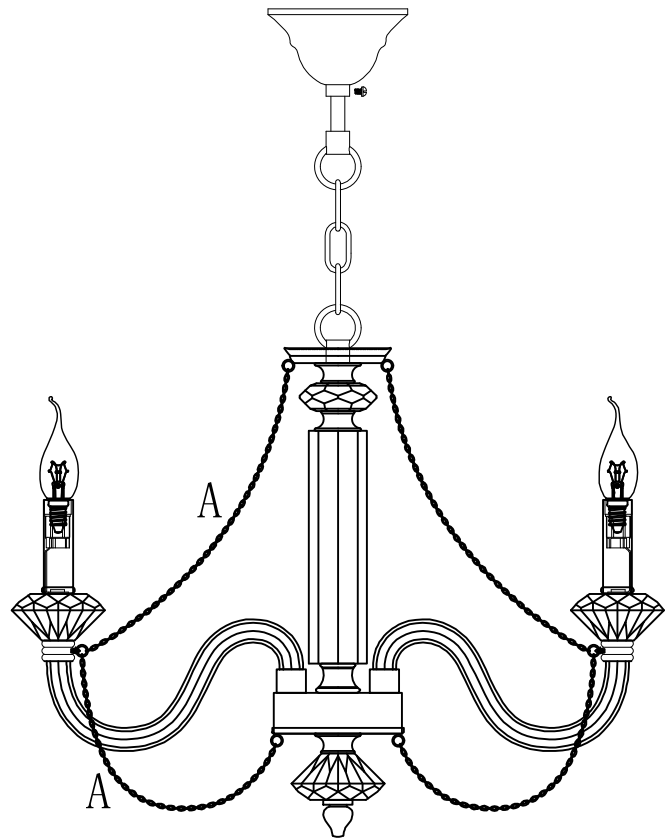


12706/C

D560*H420



| | |
|-----|----|
| | A |
| PCS | 18 |